

1 2 3 4 5 6 7

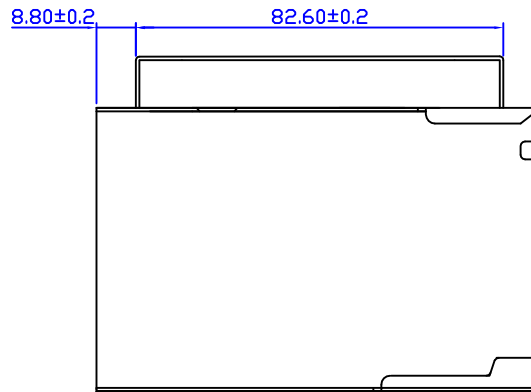
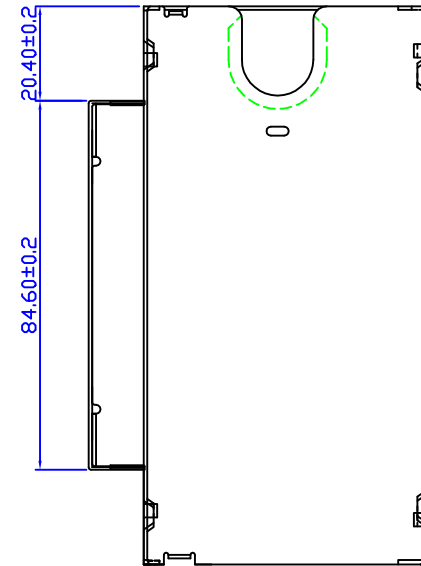
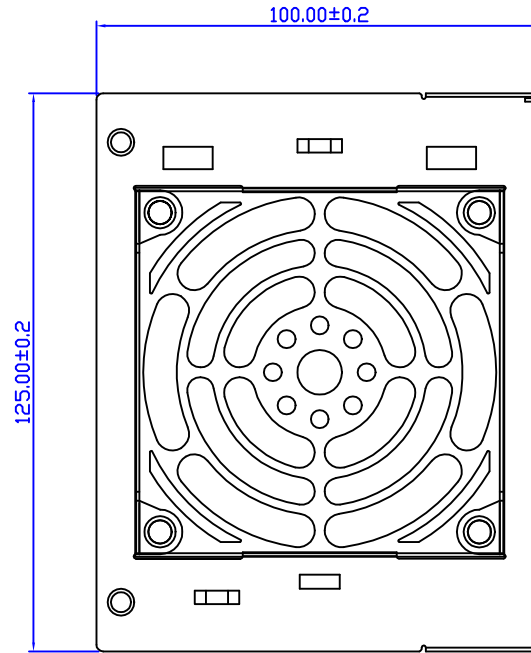
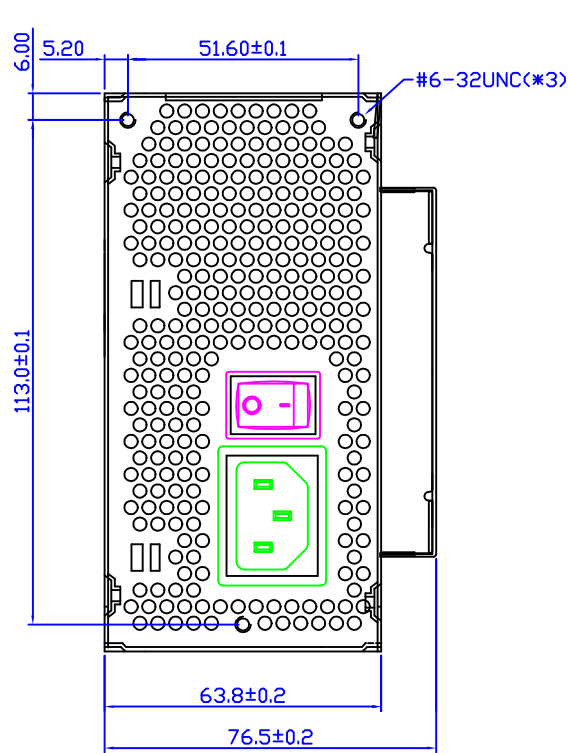
A

B

C

D

E



DESIGN CHANGE			COMMON TOLERANCE TABLE				SEA SONIC ELECTRONICS Co., Ltd.						
ITEM	REASON OF CHANGE	DESCRIPTION	RANGE	<A>		<C>	<D>	FILE NO	SFD(F3&R3)-ASM	REV. NO	A0	DRAW BY	Tony
			< 8	±0.05	±0.1	±0.2	±0.4	PART NO		SCALE	1 : 1	APPROVE BY	
			8~25	±0.08	±0.15	±0.3	±0.5	PART NAME		UNITS	M/M	DATE	11/28/2001
			25~80	±0.12	±0.25	±0.5	±1.0	MODEL NO	SFD	MATERIAL		PROJECTION	⊕
			80~250	±0.25	±0.4	±0.8	±1.5	PATH	D:\Tony\Acad\SFX\SFD				
			250~800	±0.5	±0.8	±1.5	±3.0						
			800~2500	±1.0	±1.5	±3.0	±6.0						
			ANGULAR	±0.15°	±0.3°	±0.5°	±0.8°						